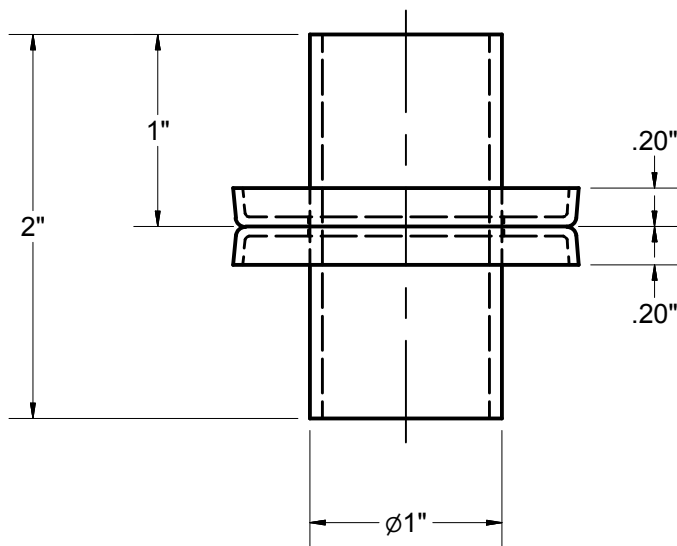
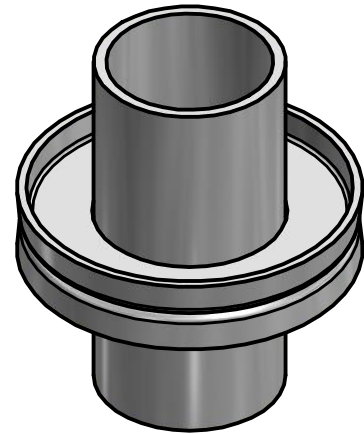


TOP VIEW



FRONT VIEW

PART NUMBER: C C 316

CUSTOMER:
CUSTOMER P.O.:
QUANTITY:
FSI WORK ORDER NO.:
MATERIAL OF CONSTRUCTION: 316SS
APPROVED FOR FABRICATION:

TOLERANCE (EXCEPT AS NOTED)	REVISIONS			<h1 style="text-align: center;">FILTER SOLUTIONS INC.</h1> <p style="text-align: center;">BURLINGTON, ONTARIO, CANADA</p>			
	NO.	DATE	BY				
DECIMAL ± 0.125"				1" O.D. CARTRIDGE CONNECTOR DETAILS			
FRACTIONAL ± 3/8"							
ANGULAR ± 1'				DRAWN: KN	DATE: MAY 1 2015	DWG NO	REV
				CHECKED: CD	DATE: MAY 1 2015	1 CARTRIDGE CONNECTOR	0
				APPROVED: PB	SCALE: 1:1	SHEET 1 OF 1	