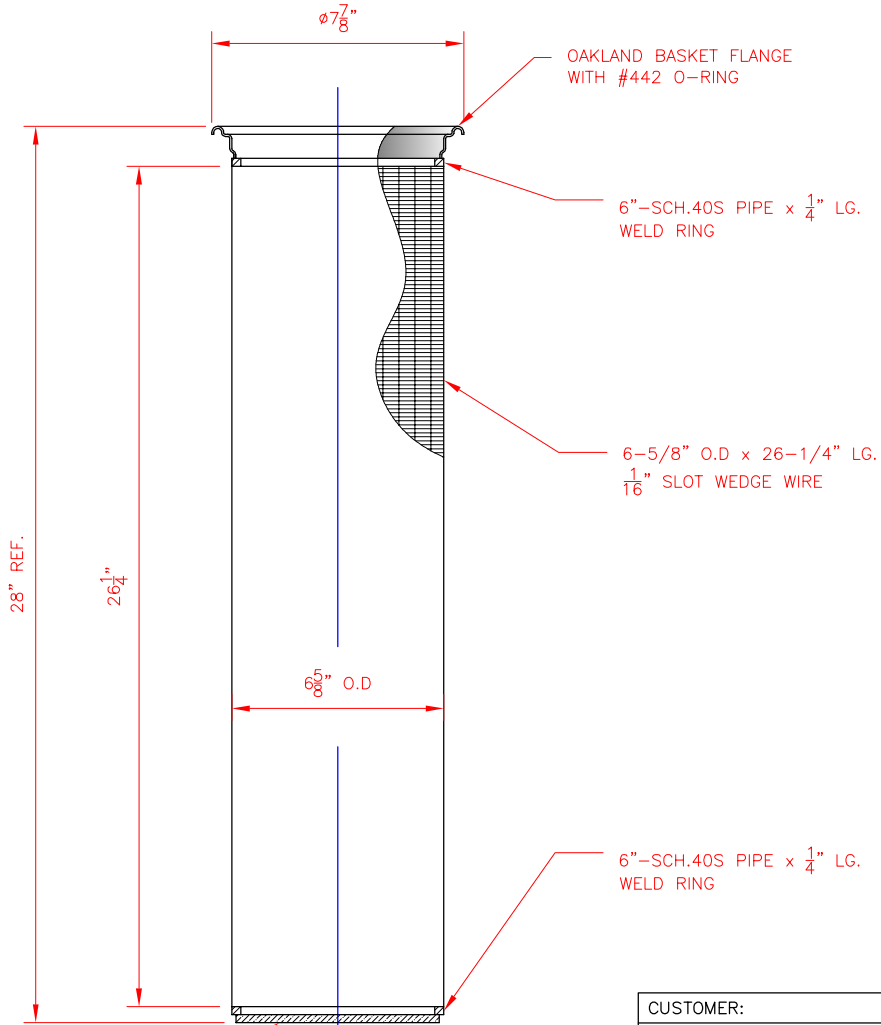


$\phi \frac{1}{4}$ " ROUND BAR x 7" LG HANDLE

TOP VIEW



OAKLAND BASKET FLANGE WITH #442 O-RING

6"-SCH.40S PIPE x $\frac{1}{4}$ " LG. WELD RING

6-5/8" O.D x 26-1/4" LG. $\frac{1}{16}$ " SLOT WEDGE WIRE

6"-SCH.40S PIPE x $\frac{1}{4}$ " LG. WELD RING

$\frac{1}{4}$ " THK. x 6-3/8" O.D SOLID END CAP

ELEVATION VIEW

CUSTOMER:
CUSTOMER P.O.:
QUANTITY:
FSI WORK ORDER NUMBER:
VESSEL MATERIAL OF CONSTRUCTION: 316SS
APPROVED FOR FABRICATION:

TOLERANCES (EXCEPT AS NOTED)	REVISIONS		
	NO.	DATE	BY.
DECIMAL ± 0.125 "	--	--	--
FRACTIONAL $\pm 3/8$ "			
ANGULAR ± 1 "			

FILTER SOLUTIONS INC.

BURLINGTON , ONTARIO , CANADA

TITLE: NO.2 SE 0.0625" SLOT WEDGE WIRE BASKET			
DRW: K.N	DATE: OCT-18-2013	DRAWING NO.	REV
CHECK'D: F.S.I	DATE: OCT-18-2013	B P2 WW .062 SE 316	0
APPR'D: P.B	SCALE: 1:6	SHEET: 1 OF 1	