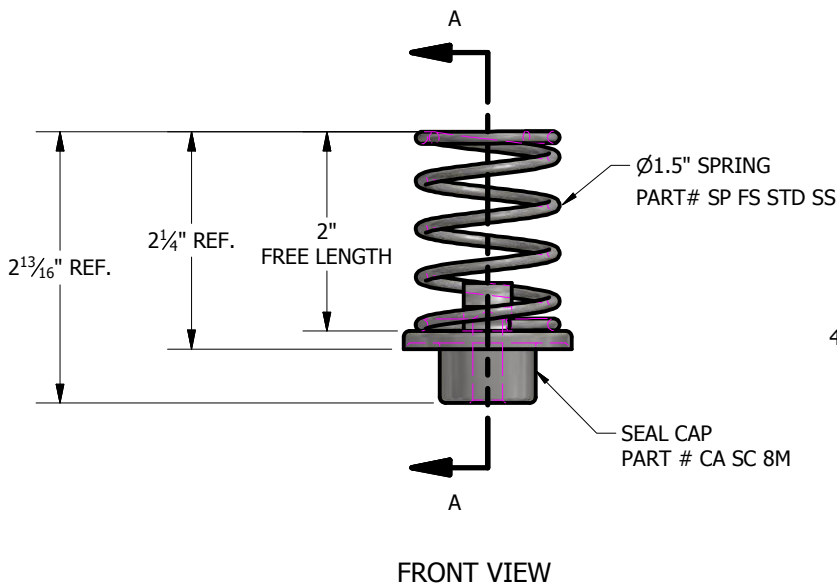
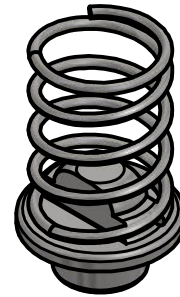
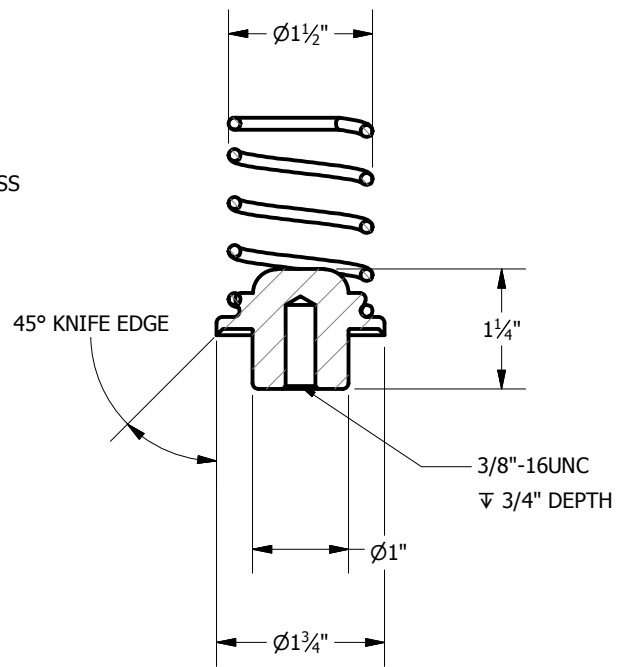


TOP VIEW



FRONT VIEW



SECTION A-A

ASSEMBLY PART NUMBER: SP SE STD

TOLERANCE (EXCEPT AS NOTED)	REVISIONS			<h1 style="text-align: center;">FILTER SOLUTIONS INC.</h1> <p style="text-align: center;">BURLINGTON, ONTARIO, CANADA</p>			
	NO.	DATE	BY				
DECIMAL $\pm 0.060$ "				<h2 style="text-align: center;">SEAL CAP &amp; SPRING ASSEMBLY</h2>			
FRACTIONAL $\pm 1/8$ "							
ANGULAR $\pm 1'$				DRAWN: K.N	DATE: APR 24 2015	DWG NO	REV
				CHECKED: F.S.I	DATE: APR 24 2015	SEAL CAP & SPRING ASSEMBLY	0
				APPROVED: P.B	SCALE: 1=2	SHEET 1 OF 1	