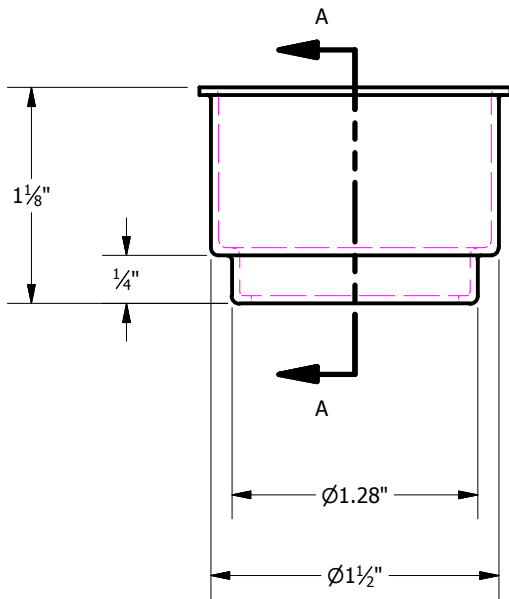
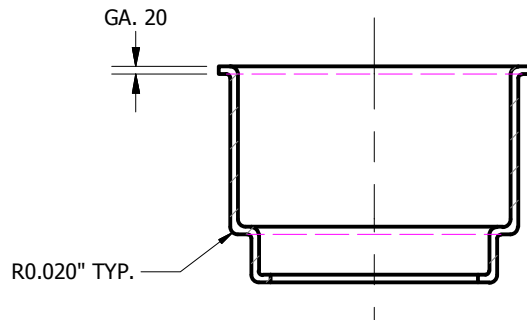


TOP VIEW



FRONT VIEW



SECTION A-A

PART NUMBER: SP X 1.125 SS

TOLERANCE (EXCEPT AS NOTED)	REVISIONS			<h1 style="text-align: center;">FILTER SOLUTIONS INC.</h1> <p style="text-align: center;">BURLINGTON, ONTARIO, CANADA</p>			
	NO.	DATE	BY				
DECIMAL ± 0.030 "				<p style="text-align: center;">TITLE SPRING SEAL EXTENTION DETAIL</p>			
FRACTIONAL $\pm 1/16$ "							
ANGULAR $\pm 1'$				DRAWN: K.N	DATE: APR. 30 2013	DWG NO	REV
				CHECKED: F.S.I	DATE: APR. 30 2013	SPRING EXTENSION	0
				APPROVED: P.B	SCALE: 1=1	SHEET 1 OF 1	